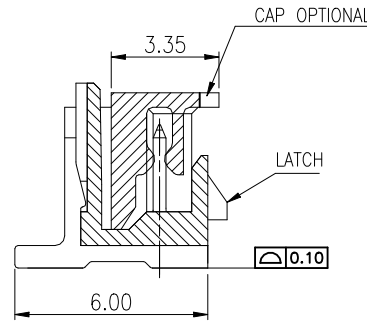
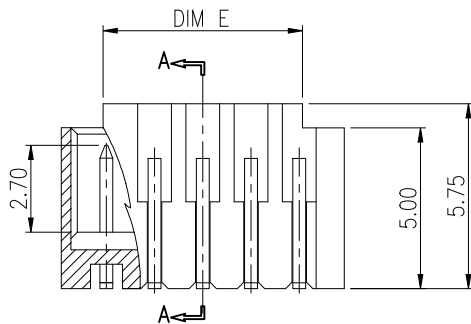


RECOMMENDED PCB LAYOUT
TOLERANCE ± 0.05



SEC. A-A

NOTES:

1. MATERIAL:

1.1 HOUSING: HALOGEN FREE PLASTIC, UL94V-0.

1.2 CONTACT: COPPER ALLOY

2. FINISH:

2.1 CONTACT: 50U" MIN. NICKEL UNDER PLATING OVERALL

N:100U" MIN. MATTE TIN PLATING

1: GOLD FLASH

D:30U" GOLD ON CONTACT

2.2 SOLDER: 50U" MIN. NICKEL UNDER PLATING OVERALL

N:100U" MIN. MATTE TIN PLATING

1: GOLD FLASH

D: GOLD FLASH

3. REFLOW SOLDER CAPABLE TO 260°C, 10Sec MAX.

PER ACES SPEC.

4. SPEC. PLS. REFER TO PS-51430-XXXXX-XXX

5. PART NUMBER

P/N LEGEND

51430-XXX X X-XXX

XXX	Housing Color	Packing
001	Black	88738-xxxCR-06-TRP
002	Natural	88738-xxxCR-06-TRP
003	LCP&Natural	51430-xxxCR-04-TRP

PACKING 7:TAPE & REEL WITH COVER

CTKS

PLATING

N:MATTE TIN

1:GOLD FLASH

D:30U" GOLD ON CONTACT

CKT	Dim A	Dim B	Dim C	Dim D	Dim E
2	1.5	4.3	3.8	3.4	1.7
3	3.0	5.8	5.3	4.9	3.2
4	4.5	7.3	6.8	6.4	4.7
5	6.0	8.8	8.3	7.9	6.2
6	7.5	10.3	9.8	9.4	7.7
7	9.0	11.8	11.3	10.9	9.2
8	10.5	13.3	12.8	12.4	10.7
9	12.0	14.8	14.3	13.9	12.2
10	13.5	16.3	15.8	15.4	13.7
11	15.0	17.8	17.3	16.9	15.2
12	16.5	19.3	18.8	18.4	16.7
13	18.0	20.8	20.3	19.9	18.2
14	19.5	22.3	21.8	21.4	19.7
15	21.0	23.8	23.3	22.9	21.2

QUALITY SYMBOLS
MAJOR Ⓢ
CRITICAL Ⓢ
GENERAL TOLERANCES (UNLESS SPECIFIED)
X ±0.5
.X ±0.25
.XX ±0.15
.XXX ±0.1
ANGLES ±2°

DRAWN BY Zhang, hongjun 23/08/26
CHECKED BY Lu, Jing Qian 23/08/26
APPROVED BY hsieh, fu yu 23/08/26

ACES ELECTRONICS

1.5mm WTB Header
SMT Vertical Type

UNITS mm
SCALE 1:1

SIZE A4
REV C
RFQ NO. RFQ-1911173
DWG NO. 51430-XXXXX-XXX